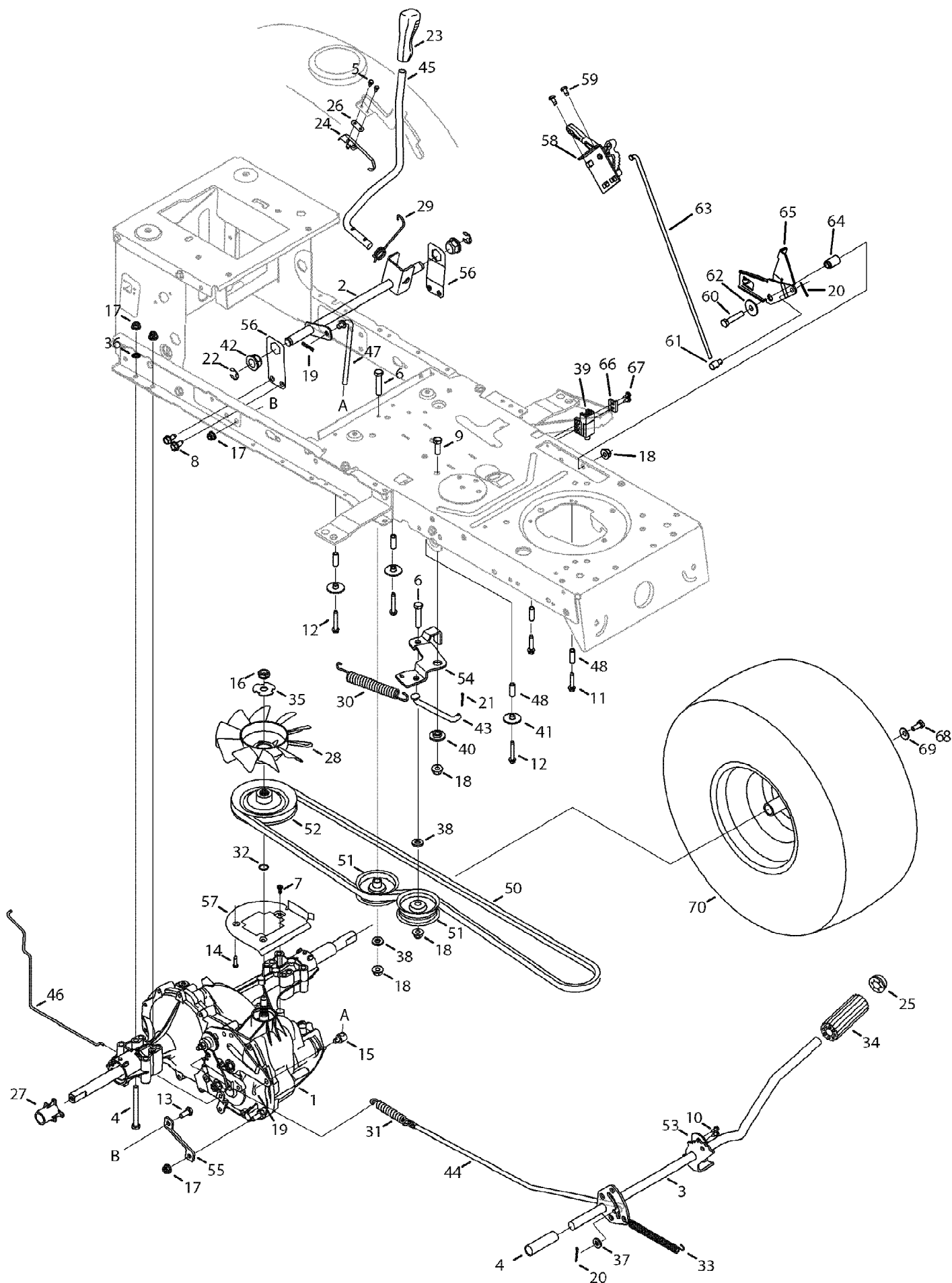


Ref #	Part Number	Qty	S/P/F	Description
1	17116	1	S	Deck Brake Assembly
2	17258E	1		Deck Belt Cover RH
3	783-1348D	1	/P	Deck Belt Cover LH
4	618-0240A	1	S	Spindle Assembly
4	17983	1		Bearing Shield Not shown
4	619-0042A	1	/P	Spindle Housing Not shown
4	712-0417A	1	/P	Flange Nut:5/8-18 Not shown
4	738-0927	1		Spindle Shaft:4.450 LG. Not shown
4	941-0919	1	/P	Ball Bearing:20x47x14:62 Not shown
4	748-0434	1		Spacer:.750 x 1.150 x .230 Not shown
4	750-0952	1		Spacer:.792 x 1.060 x 1.800 Not shown
4	756-1187	1		Deck Pulley:5.00 Dia Not shown
5	618-04134B	1	S	Double Pulley Spindle Assy.
5	17983	1		Bearing Shield Not shown
5	619-0042A	1	/P	Spindle Housing Not shown
5	712-0417A	1	/P	Flange Nut:5/8-18 Not shown
5	736-0315	1	/P	Flat Washer:.760 x 1.50 X .120 Not shown
5	938-1128	1	/P	Spindle Shaft:6.58 LG. Not shown
5	941-0919	1	/P	Ball Bearing:20x47x14:62 Not shown
5	750-04440	1		Spacer:.792 x 1.060 x 1.680 Not shown
5	750-0952	1		Spacer:.792 x 1.060 x 1.800 Not shown
5	750-1304	1		Spacer:.792 x 1.060 x .400 Not shown
5	756-04094	1		Deck Pulley:5.00 Dia x .80 Not shown
5	756-1188	1		Deck Pulley:5.75 Dia Not shown
6	683-0254B	1	/P	Deck Hanger Bracket Assy.
7	683-04250A	1	/P	Idler Bracket Assembly LH
8	683-04251A	1	/P	Idler Bracket Assembly RH
9	683-04413	1	S	Deck Assembly
10	710-0514	1	/P	Hex Screw, 3/8-16 x 1.00
11	710-0528	1	/P	Hex Screw, 5/16-18 x 1.25
12	710-0599	1	/P	Screw, 1/4-20 x .50
13	710-0778	1	/P	Screw, 1/4-20 x 1.50
14	710-0805	1	/P	Hex Screw, 5/16-18 x 1.50
15	710-1007	1	/P	Sems Screw, 3/8-16 x 1.50
16	710-1026	1	/P	Screw, 1/4-20 x 1.75
17	710-1260A	1	/P	Screw, 5/16-18, .750
18	710-1315	1	/P	Screw, 3/8-16, x 1.25
19	710-3015	1	/P	Screw, 1/4-20 x .75
20	711-04636	1		Pin, 1/4-20: 3/8 x 2.685
21	711-04669	1		Clevis Pin, 3/8 dia. x 2.75
22	711-0993	1	S	Belt Guard Pin, 1/4 x 1.43 lg.
23	712-0206	1	S	Hex Nut, 1/2-13
24	712-04063	1	/P	Flange Lock Nut, 5/16-18
25	712-04064	1	/P	Flange Lock Nut, 1/4-20
26	712-04065	1	/P	Flange Lock Nut, 3/8-16
27	712-0417A	1	/P	Flange Nut, 5/8-18
28	712-0641	1	S	Hex Nut, M16-1.5
29	712-3006	1	/P	Hex Nut, 1/4-20
30	712-3083	1	/P	Hex Lock Nut, 1/2-13
31	714-04043	1		Bow-Tie Cotter Pin
32	717-04074	1	S	Deck Adjustment Gear
33	721-04041	1	S	Water Nozzle Adapter If Equipped
34	726-0233	1	/P	Part Number 726-0233 ID x .50 OD

Ref #	Part Number	Qty	S/P/F	Description
35	732-0429A	1	S	Extension Spring, .50 x 3.97 Lg.
36	732-04400	1		Extension Spring, .75 x 6.835 Lg.
37	732-0594A	1	S	Extension Spring, .91 x 7.33 Lg.
38	732-0814	1		Extension Spring, .56 x 5.52 lg.
39	734-0973	1	/P	Deck Wheel 5.0 x 1.38
40	736-0119	1	S	Lock Washer, 5/16
41	736-0211	1	S	Flat Washer, .285 x 1.25 x .06
42	736-0225	1	/P	Lock Washer, 5/8 Int. Tooth
43	736-0258	1	/P	Flat Washer, .385 x 1.0 x .135
44	736-0270	1	/P	Bell Washer, .265 x .75 x .062
45	736-0300	1	S	Flat Washer, .406 x .875 x .059
46	736-0418A	1	/P	Flat Washer, .406 x .875 x .059
47	736-0187	1	/P	Flat Washer, .64 x 1.24 x .06
48	737-04003C	1	S	Deck Water Nozzle If Equipped
49	738-0347	1	S	Shoulder Spacer, .625 ID x .169
50	738-0373	1	S	Shoulder Bolt .496 x 1.525: 3/8-16
51	738-04091A	1	/P	Shoulder Screw .43 x .29:5/16-18
52	710-04754	1		Shoulder Bolt .625 x 2.515: 3/8-16
53	742-0611A	1	S	Blade, 3 in 1 star, 16.28" Lg.
54	742-0612A	1	S	Blade, 3 in 1 star, 14.88" Lg.
55	747-04530	1		Belt Keeper Rod
56	747-04645	1		Front Deck Adjustment Rod
57	748-0234	1	/P	Shoulder Spacer
58	748-04069	1		Deck Lift Pivot Cup
59	750-04456	1		Spacer, .260 x .372 x 1.420 Lg.
60	750-0566A	1	/P	Spacer, .260 x .372 x 1.030 Lg.
61	750-1320	1		Spacer, .375 x .63 x .595 Lg.
62	754-0349	1	S	V-Belt, 79.10 Lg.
63	754-04142	1	S	V-Belt, 91.4 Lg.
64	756-04129	1	S	Idler Pulley, 4.25" dia.
65	783-0141	1		Center Deck Skirt
66	783-0142	1	S	RH Deck Skirt
67	783-04641A	1		Idler Bracket
68	783-05321	1	S	Brake Bracket
69	783-05360	1	S	Deck Stop Bracket
70	738-04146	1		Bolt Plug, M16 x 1.5
71	731-1032B	1	S	Discharge Chute
72	710-0134	1	/P	Carriage Screw, 1/4-20 x .62 If Equipped
73	712-3087	1	/P	Wing Nut, 1/4-20 If Equipped
74	731-05264	1		Mulch Plug, 46" Deck If Equipped
75	750-04999	1		Spacer, .380 x .625 x 2.515 Lg.



13AX79TH090 LT-4600H (2008)
Drive System

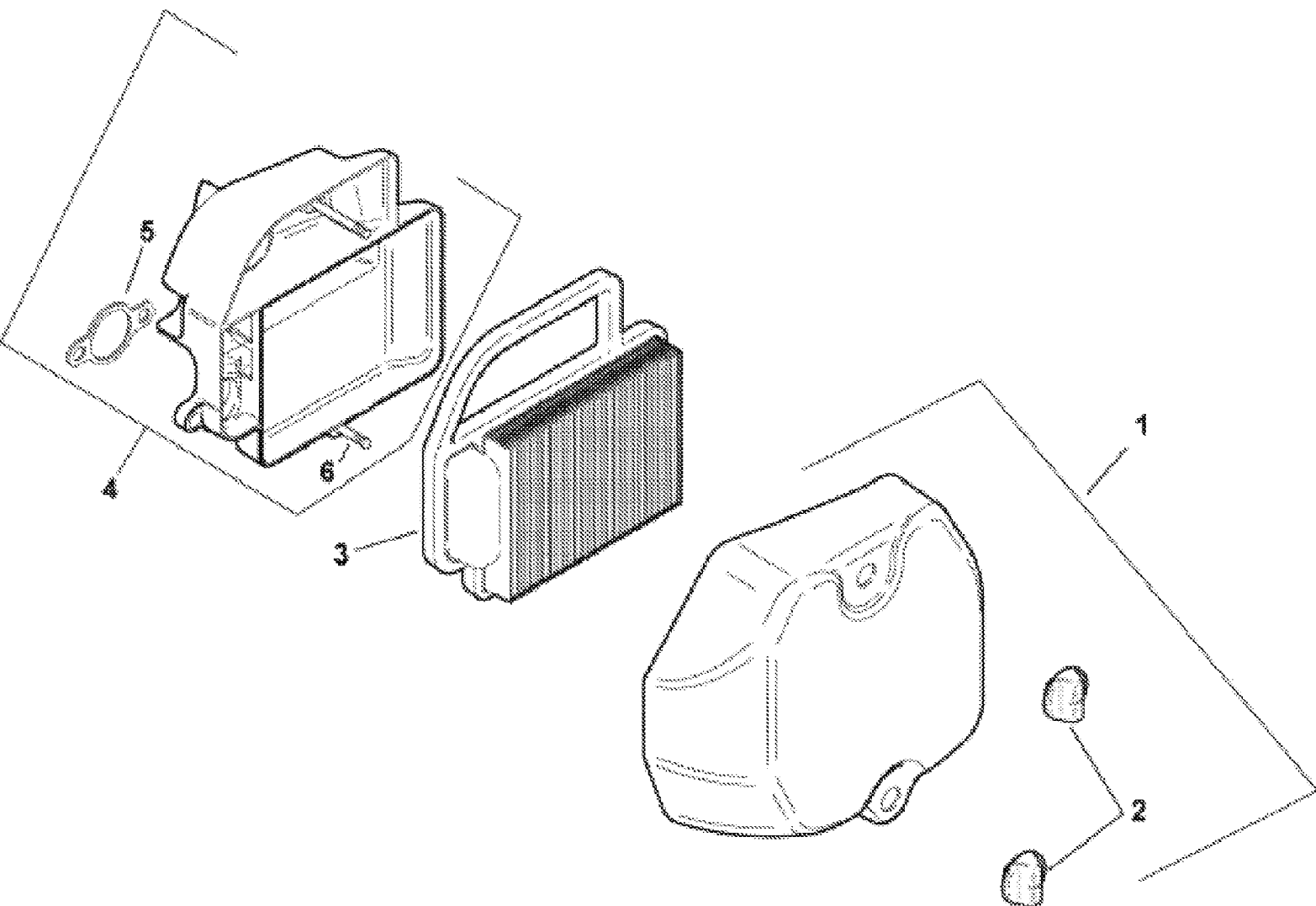
Page 5 of 46

Ref #	Part Number	Qty	S/P/F	Description
1	618-04198	1	S	Transmission Assembly, Hydro
2	647-04038A	1	/P	Control Assembly, Hydrostatic
3	647-04054A	1		Pedal Assembly, Drive
4	710-0176	1	/P	Hex Screw, 5/16-18, 2.75, Gr5,
4	710-1266	1	/P	Hex Screw, 5/16-18, 3.50, Gr5, (Not Shown)(46" Deck Models only)
5	710-0227	1	/P	Screw, #8-18, 0.500
6	710-0347	1	/P	Hex Screw, 3/8-16, 1.75
7	710-0351	1	/P	Screw, B, #10-16, 0.500
8	710-04484	1		Screw, 5/16-18, 0.750
9	710-0514	1	/P	Hex Screw, 3/8-16, 1.00, Gr5
10	710-0604A	1	/P	Screw, 5/16-18, 0.625
11	710-0809	1		Screw, 1/4-20, 1.250
12	710-1325	1	/P	Screw, 1/4-20, 1.625
12	710-1026	1	/P	Screw, 1/4-20, 1.75 (Not Shown)(46" Deck Models only)
13	710-3008	1	/P	Hex Screw, 5/16-18, .75, Gr5
14	710-3009	1	/P	Screw, #10-24 x 0.75
15	711-04448	1		Ferrule, 5/16-24 x .312 Dia.
16	712-0346	1	S	Nut, Hex Lock, 1/2-20, Gr5
17	712-04063	1	/P	Nut, Flange Lock, 5/16-18, Grf
18	712-04065	1	/P	Nut, Flange Lock, 3/8-16, Grf
19	714-0104	1	S	Pin, Cotter, .072 Dia. x 1.13
20	714-0111	1	S	Pin, Cotter, 3/32, 1.0
21	714-3004	1		Pin, Cotter, 3/32 x 1.25
22	716-0106A	1		Ring, E-Type, .625 Dia.
23	720-0311	1		Grip, Handle, 1/2
24	725-04249	1		Spring Switch, Hydro
25	726-0214	1	/P	Push Cap, 5/8
26	726-0320	1	S	Plate, Insulator Nut
27	731-05299	1		Sleeve, .765 x 1.50
28	731-06098	1		Fan, Hydro
29	732-04225	1		Spring, Torsion
30	732-04229	1		Spring, Extension, .75 OD x 6.02
31	732-0716C	1	S	Spring, Extension, .59 OD x 4.00
32	732-0729	1	/P	Ring, Wire
33	732-0963	1		Spring, Extension, .50 Dia x 6.37
34	735-0239	1	/P	Foot Pad, 4.0
35	736-04263	1		Hydro Trans Lock Washer
36	736-0607	1	/P	Washer, Lock 5/16 Ext. Tooth
37	736-3008	1	S	Washer, Flat, .344 x .750 x .120
38	736-3010	1		Washer, Flat, .407x.812x.135
39	725-04039	1	S	Switch, Interlock
40	738-0347	1	S	Spacer, Shoulder, .625 ID x .169
41	738-04178	1	S	Shoulder Spacer, .375 x .274
41	736-0211	1	S	Washer, Flat, .285 x 1.25 x .06 (Not Shown)(46" Deck Models only)
42	741-0225	1	S	Bearing, Hex Flange
43	747-04283A	1	/P	Declutching Rod
44	747-04286	1		Brake Rod, Hydrostatic

13AX79TH090 LT-4600H (2008)
Drive System

Page 6 of 46

Ref #	Part Number	Qty	S/P/F	Description
44	747-04679	1		Brake Rod, Hydrostatic 46" Deck (Not Shown)(46" Deck Models only)
45	747-04296	1	S	Control Handle, Hydrostatic
46	747-04316	1		Bypass Rod, Hydrostatic
46	747-04621	1		Bypass Rod, Hydrostatic 46" Dk. (Not Shown)(46" Deck Models only)
47	747-04407A	1		Control Rod, Hydrostatic
48	750-0566A	1	/P	Spacer, .260 x .372 x 1.030
48	750-04456	1		Spacer, .260 x .372 x 1.420 (Not Shown)(46" Deck Models only)
49	750-0802	1		Spacer, .640 x .76 x 2.63
50	754-04074A	1	S	Belt, V-Type
51	756-04224	1	/P	Idler Pulley, Flat 2.75 OD
52	756-04309	1		Pulley, Input, 5.0 Dia.
53	783-04536B	1	S	Support Bracket, Pedal
54	783-04570A	1	S	Idler Arm
55	783-04579A	1	S	Bracket, Torque
56	783-04585A	1		Mounting Bracket, Handle
57	783-04600A	1	S	Bracket, Support
58	683-04226	1	S	Lever, Parking Brake
59	710-04483	1		Screw, 1/4-14, 0.625
60	710-3144	1	/P	Hex Screw, 3/8-16, 2.00
61	711-0736	1	/P	Ferrule 1/4-20
62	736-0133	1	S	Washer, Flat, .411 x 1.25 x .100
63	747-04430	1		Control Rod
64	750-04465	1		Spacer, Flange, .390 x .671 x .95
65	783-04862	1	/P	Latch Assembly, Engagement
65	783-04903	1		Latch Assembly, Engagement (No RMC) (Not Shown)
66	17962	1		Plate, Switch
67	728-04021	1		Pop Rivet, .187 dia.
68	710-0627	1	/P	Screw, 5/16-24, .750, Gr5
69	736-0242	1	/P	Bell Washer, .34 x .872 x .060
70	634-0104	1		Wheel Assembly
70	734-1730	1		Tire, 20 X 8 X 8 SQ. Shoulder (Not Shown)
70	634-0070	1	/P	Rim Assembly 8.0 X 7.0 X .750 ID (Not Shown)

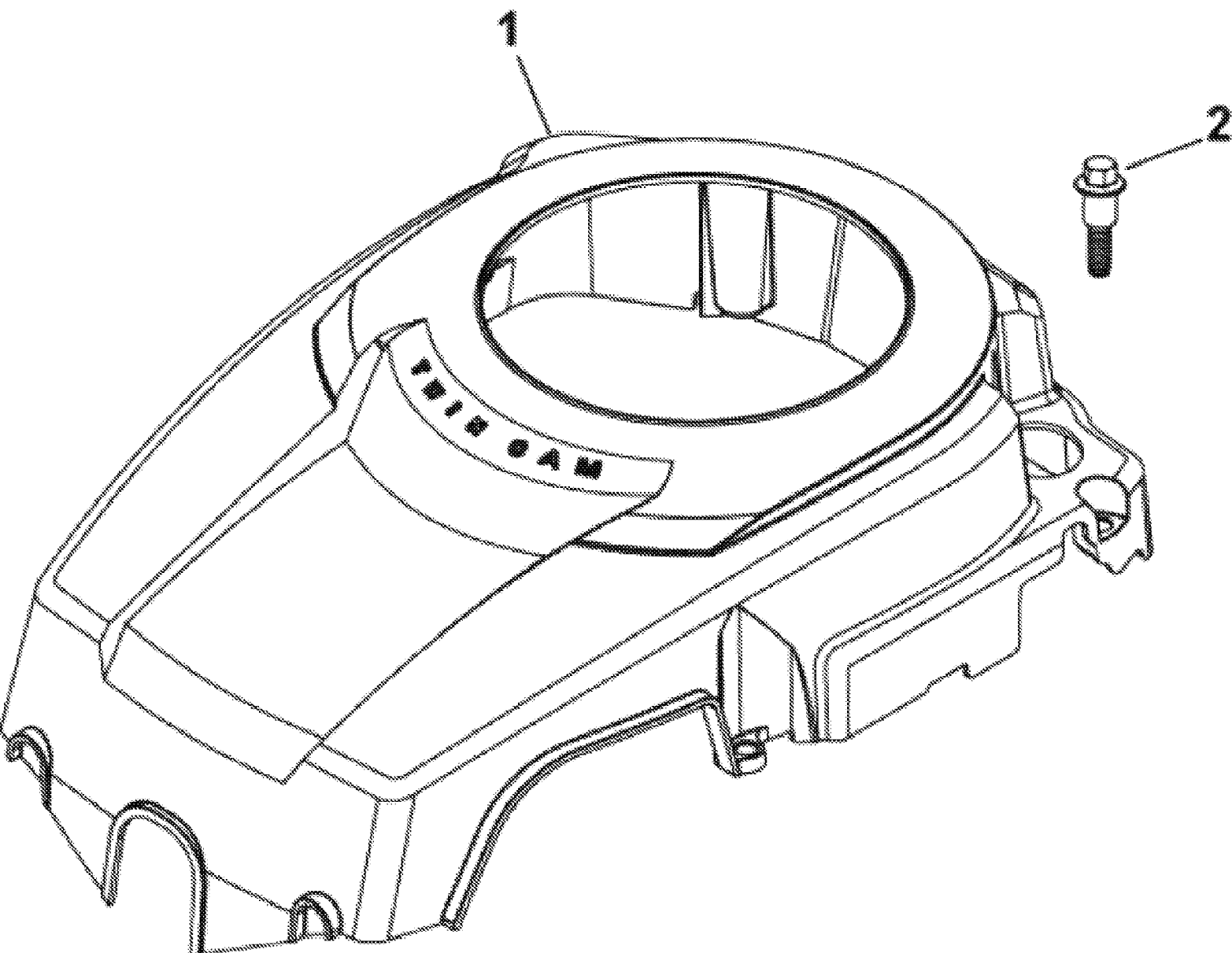


13AX79TH090 LT-4600H (2008)
Engine Air Intake & Filtration

Page 8 of 46

Ref #	Part Number	Qty	S/P/F	Description
1	KH-20-096-04-S	1		KIT, AIR CLEANER COVER (includes 2)
2	KH-25-341-04-S	2		KNOB, COVER
3	KH-20-083-02-S	1		ELEMENT, AIR CLEANER
4	KH-20-094-04-S	1		KIT, AIR CLEANER BASE (Includes 5,6)
5	KH-12-041-02	1	/P	GASKET, AIR CLEANER BASE
6	KH-20-072-04-S	2		STUD, AIR CLEANER BASE

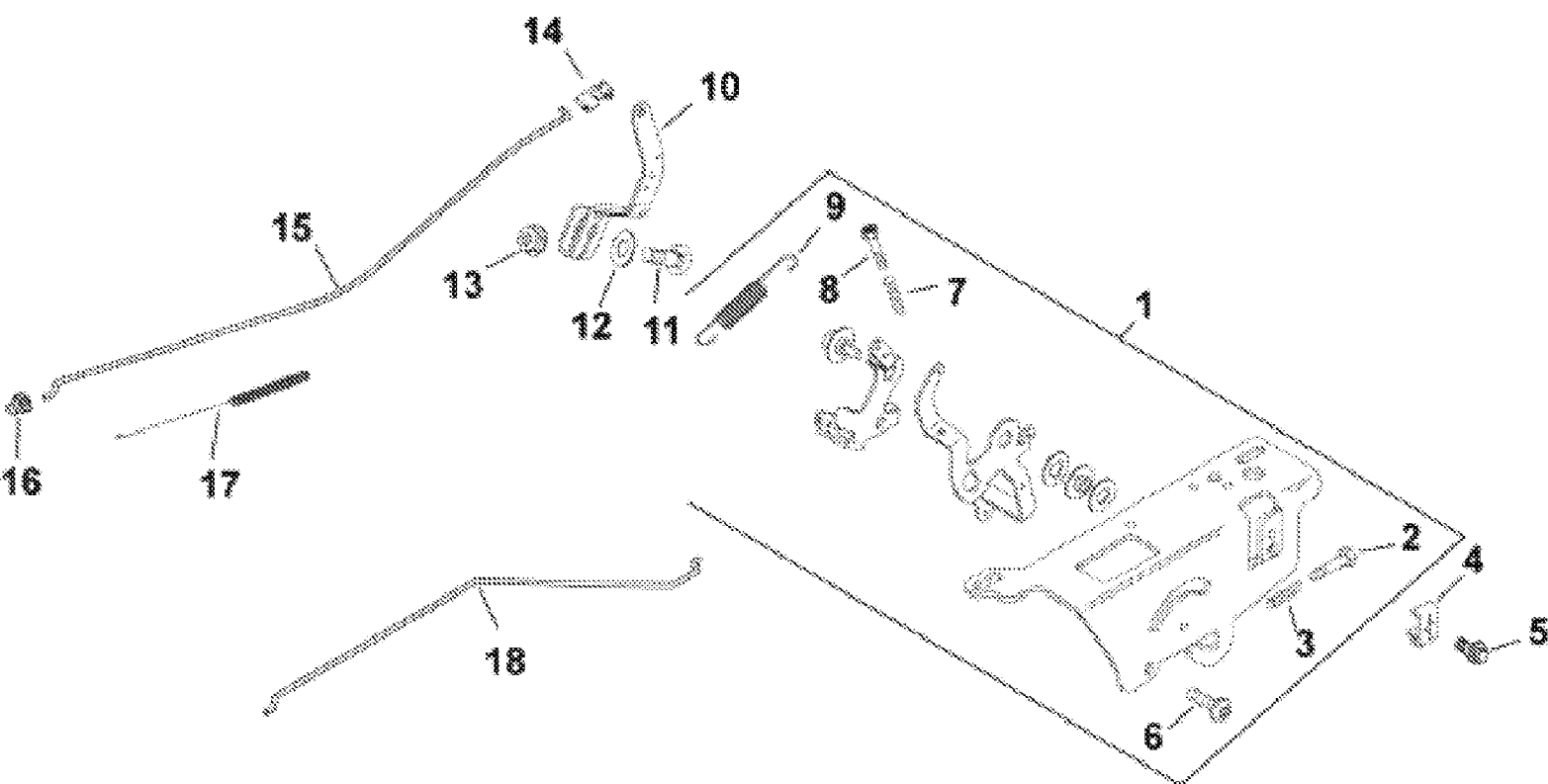
13AX79TH090 LT-4600H (2008)
Engine Blower Housing & Baffles



13AX79TH090 LT-4600H (2008)
Engine Blower Housing & Baffles

Page 10 of 46

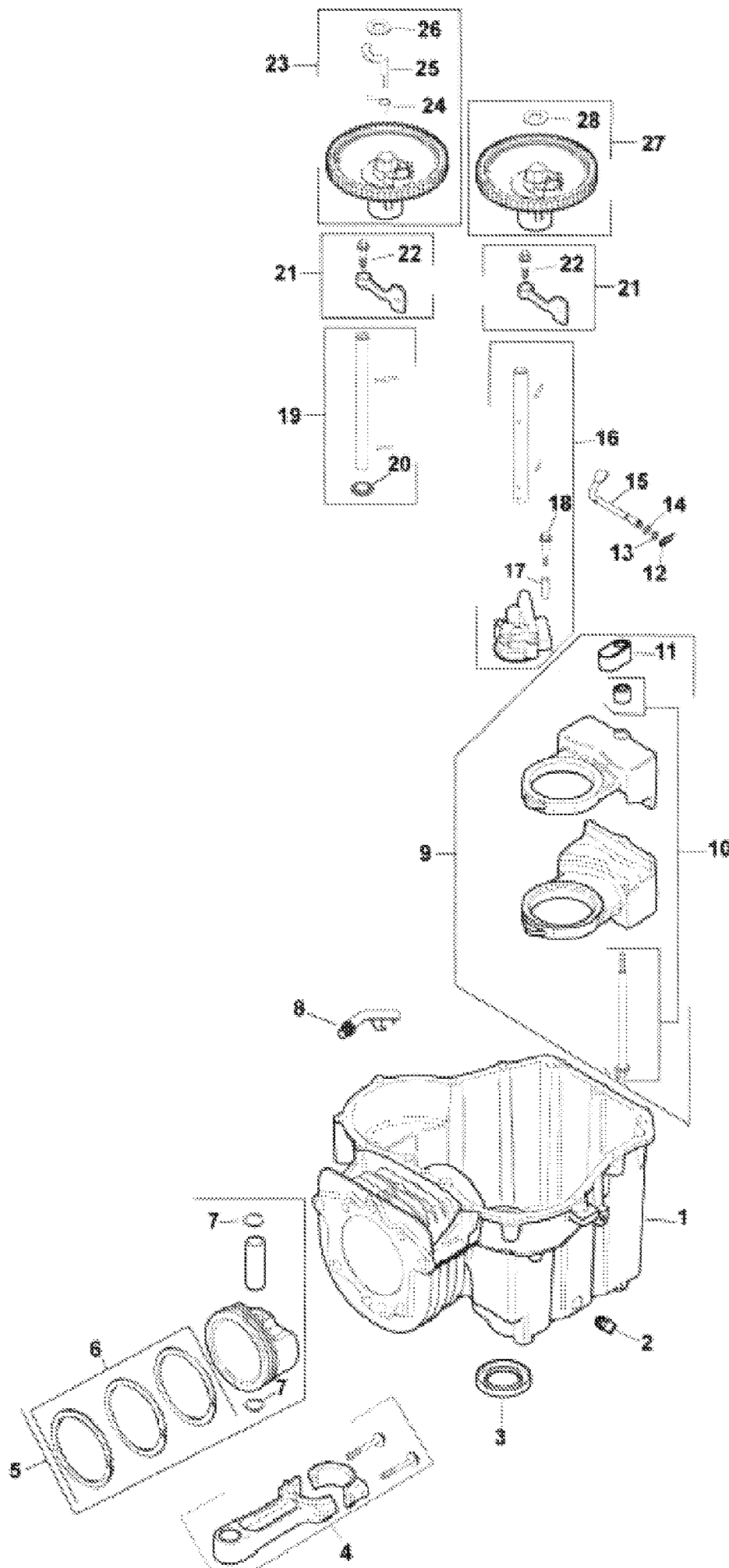
Ref #	Part Number	Qty	S/P/F	Description
1	KH-20-027-07-S	1	/P	KIT, BLOWER HOUSING (includes 41 037 10-S)
2	KH-20-086-06-S	4	/P	SCREW, SHD THD FRM M6X1X26
	KH-41-037-10-S	1		NAMEPLATE, SERVICE NOT ILLUSTRATED



13AX79TH090 LT-4600H (2008)
Engine Controls

Page 12 of 46

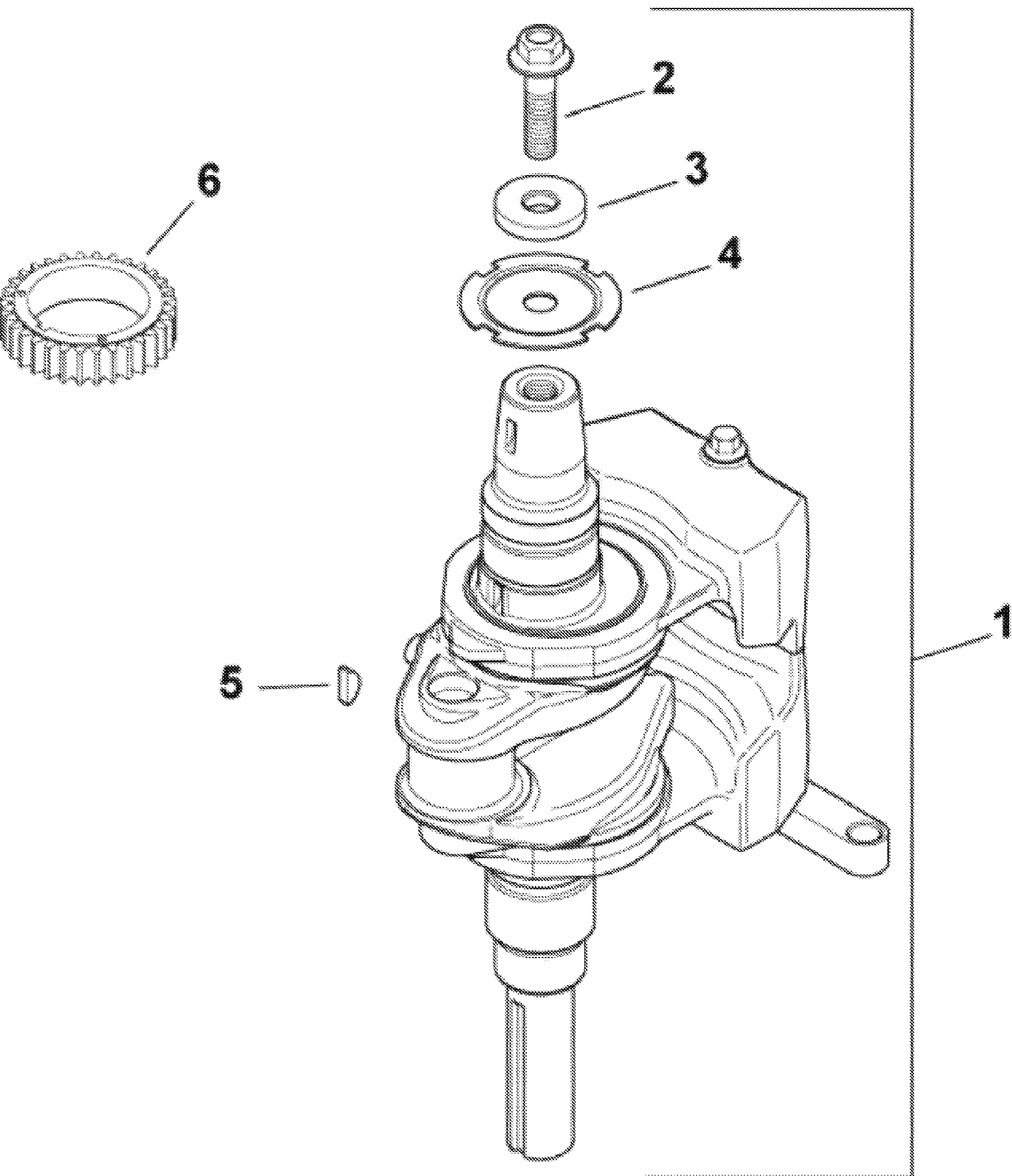
Ref #	Part Number	Qty	S/P/F	Description
1	KH-20-536-05-S	1		KIT, SPEED CONTROL ASSEMBLY - USE 20 536 06-S (includes 2,3,6-9)
2	KH-20-086-10-S	2		SCREW, PHL THD FRM M4X0.7X25
3	KH-12-089-11	2	S	SPRING, SPEED CONTROL (SHORT)
4	KH-12-237-01	1		CLAMP, CABLE
5	KH-M-545016-S	1	/P	SCREW, FLG THD FRM M5X.8X16
6	KH-M-664020	2		SCREW, LBD SKT M6x1.0x20
7	KH-12-089-11-S	2	/P	SPRING, SPEED CONTROL (SHORT)
8	KH-20-086-10-S	2		SCREW, PHL THD FRM M4X0.7X25
9	KH-20-089-11-S	1		SPRING, GOVERNOR
10	KH-20-090-02-S	1		LEVER, GOVERNOR
11	KH-52-211-04	1		BOLT, RD HD SQ NCK 1/4-20X1"
12	KH-X-22-11	1		WASHER, INT TOOTH LOCK 1/4"
13	KH-12-100-07	1		NUT, HEX FLG 1/4-20"
14	KH-25-158-11	1	/P	BUSHING, THROTTLE LINKAGE
15	KH-20-079-04-S	1		LINKAGE, THROTTLE - USE 20 079 07-S
16	KH-25-158-08	1	/P	BUSHING, LINKAGE RETAINING
17	KH-20-089-10-S	1		SPRING, LINKAGE
18	KH-20-079-05-S	1		LINKAGE, CHOKE



13AX79TH090 LT-4600H (2008)
Engine Crankcase

Page 14 of 46

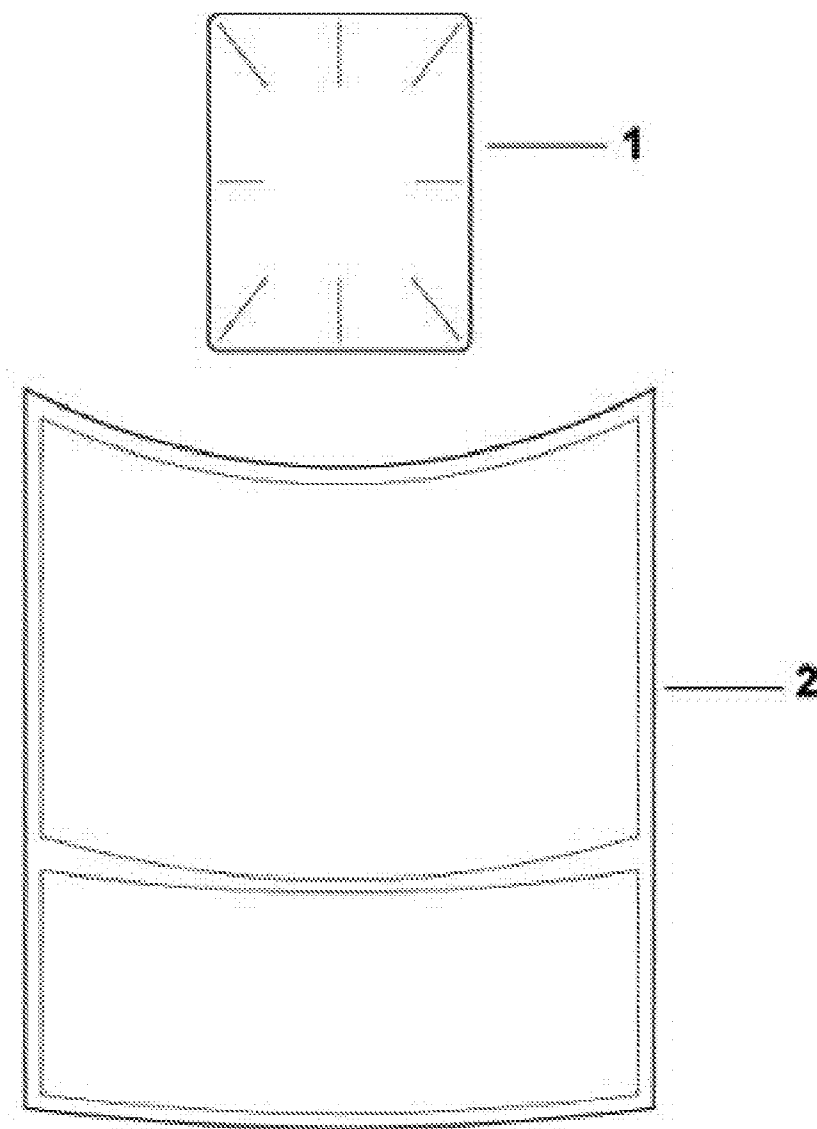
Ref #	Part Number	Qty	S/P/F	Description
1	N/A	1		CRANKCASE (USE: Short Block KH-20-522-01)
1	KH-20-522-01	1	S	Short Block
2	KH-25-139-57-S	1	/P	PLUG, SQ HD PIPE 3/8"
3	KH-20-032-01-S	1	/P	SEAL, OIL
4	KH-20-067-04-S	1		ROD, CONNECTING
5	KH-20-874-01-S	1		KIT, PISTON W/RING SET (94MM) (Includes 6,7)
6	KH-20-108-01-S	1	S	RING SET (94 MM)
7	KH-20-018-04-S	2		RETAINER, PISTON PIN
8	KH-20-123-02-S	1		TUBE, DRAINBACK Use After Serial # 3430000001
9	KH-20-755-04-S	1		KIT, BALANCE WEIGHT - DISC. (Includes 10,11)
10	KH-20-380-16-S	1		KIT, GUIDE PIN
11	KH-20-423-02-S	1		SHOE, GUIDE
12	KH-12-154-05	1		CLIP, HITCH PIN
13	KH-M-631015	1		WASHER, FLAT 6 MM
14	KH-X-25-102-S	1	/P	WASHER, FLAT 1/4"
15	KH-20-144-02-S	1		SHAFT, GOVERNOR CROSS
16	KH-20-393-02-S	1		KIT, OIL PUMP ASSEMBLY (includes 17,18) serial break after 350760001
17	KH-20-112-02-S	2		SPACER, OIL PUMP SCREW
18	KH-20-086-13-S	2		SCREW, OIL PUMP
19	KH-20-144-06-S	1		USE 20 144 11-S KIT (includes 21)
20	KH-20-468-01-S	1		USE 20 468 08-S WASHER
21	KH-20-090-01-S	2		KIT, CAM LEVER ASSEMBLY
22	KH-20-086-06-S	1	/P	SCREW, SHD THD FRM M6X1X26
23	KH-20-010-04-S	1		KIT, CAMSHAFT ASSEMBLY (Includes 24-26)
24	KH-20-089-06-S	1		SPRING, ACR
25	KH-20-044-16-S	1		WEIGHT, ACR
26	KH-20-468-03-S	1		WASHER, THRUST -ACR
27	KH-20-010-04-S	1		KIT, CAMSHAFT ASSEMBLY (includes 28)
28	KH-20-468-03-S	1		WASHER, THRUST -ACR



13AX79TH090 LT-4600H (2008)
Engine Crankshaft

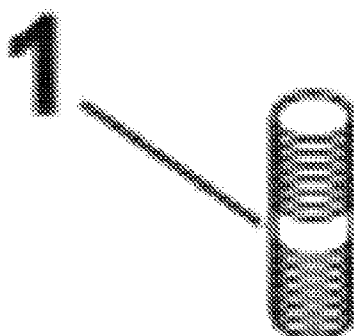
Page 16 of 46

Ref #	Part Number	Qty	S/P/F	Description
1	KH-20-014-24-S	1		KIT, CRANKSHAFT (includes 2-4)
2	KH-25-086-125-S	1		SCREW, HEX FLANGE
3	KH-25-468-09-S	1		WASHER, FLAT
4	KH-20-146-05-S	1		PLATE, FAN MOUNTING
5	KH-X-42-15	1	/P	KEY, 3/16" X 5/8"
6	KH-20-043-12-S	1		GEAR, CRANKSHAFT



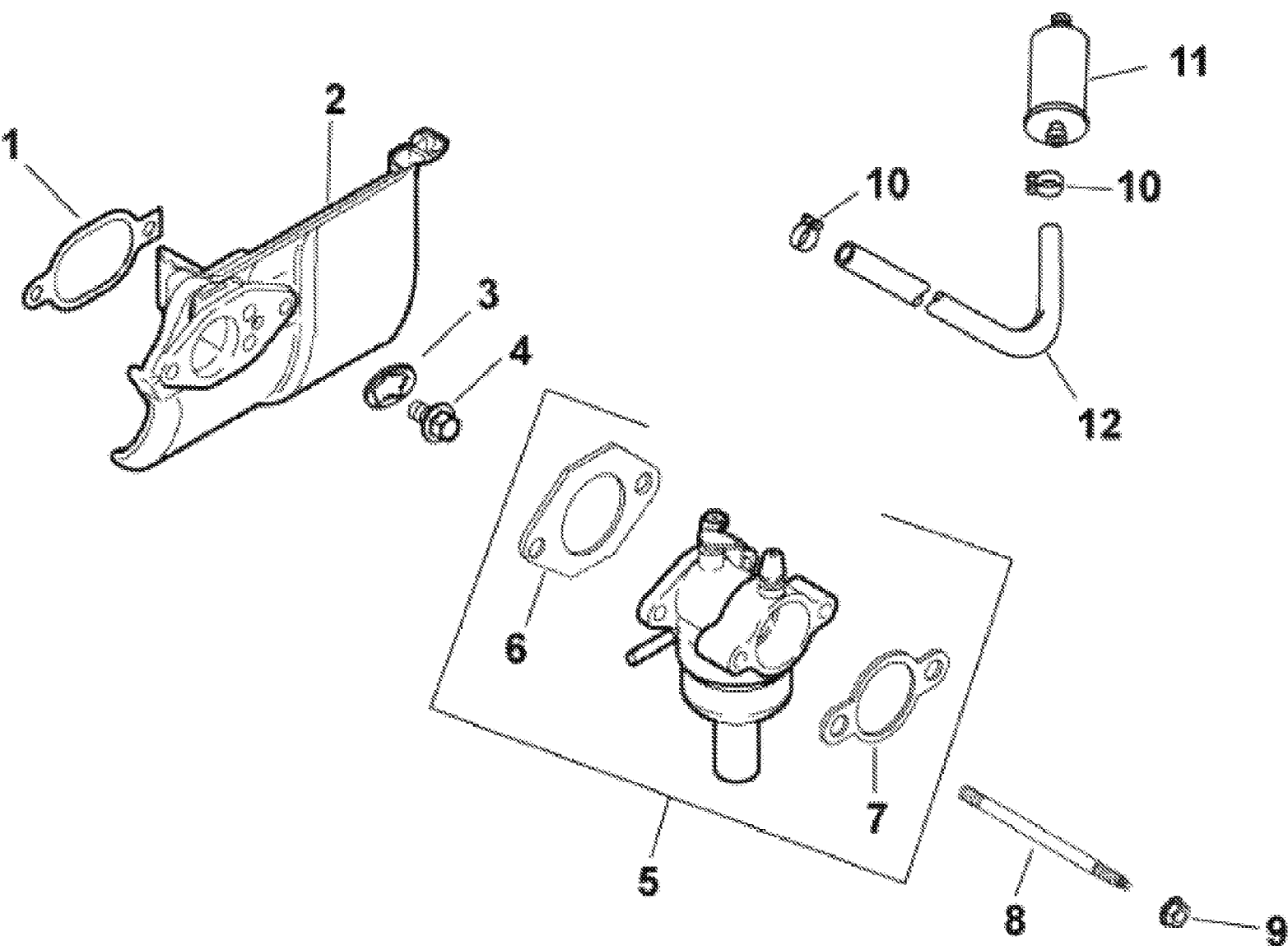
13AX79TH090 LT-4600H (2008)
Engine Decals

Ref #	Part Number	Qty	S/P/F	Description
1	KH-25-113-39-S	1		DECAL, CLEAR LAMINATE
2	KH-20-113-14-S	1		DECAL, 20HP



13AX79TH090 LT-4600H (2008)
Engine Exhaust

Ref #	Part Number	Qty	S/P/F	Description
1	KH-25-072-04	2	/P	STUD,M8X1.25X33

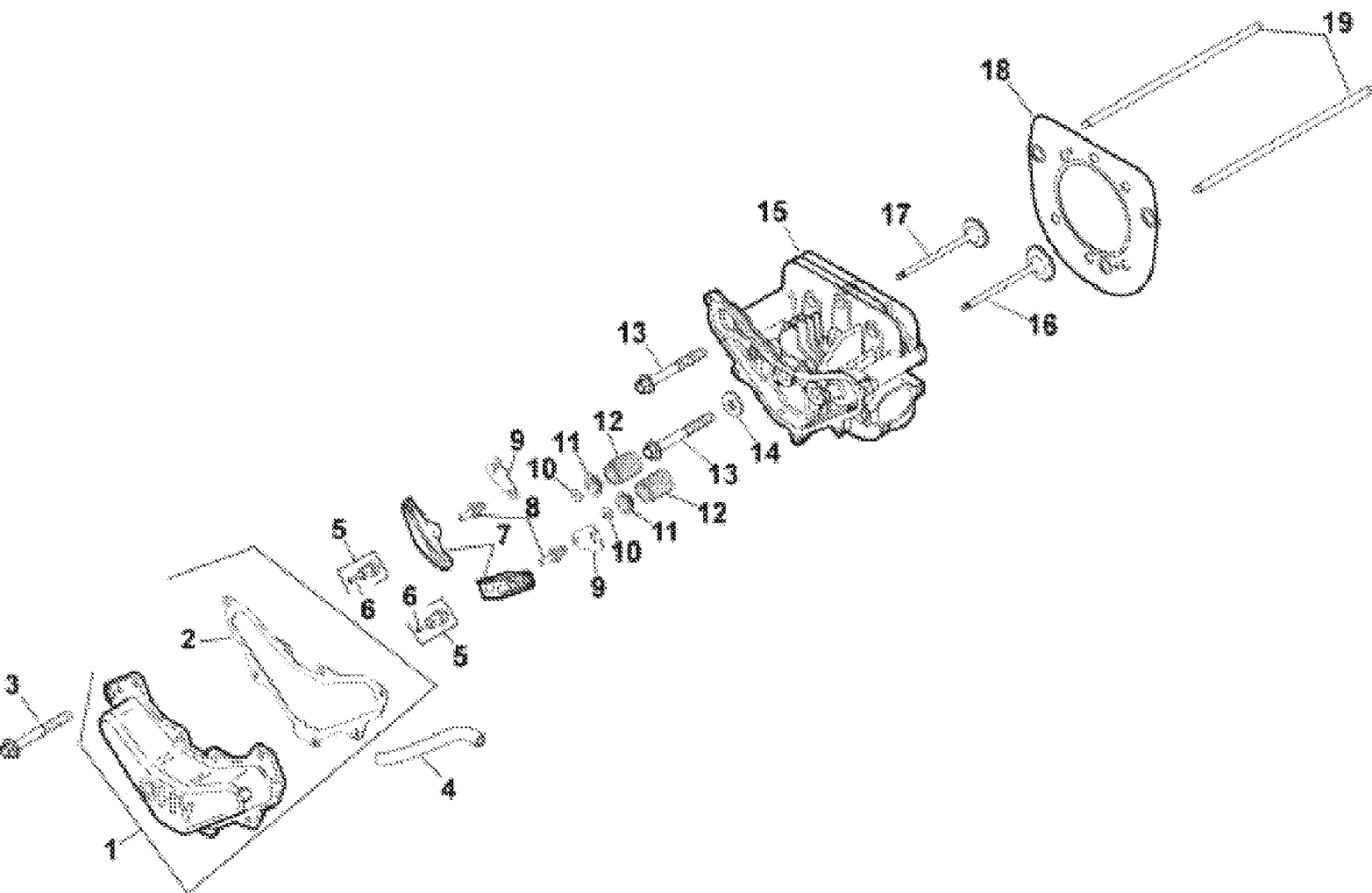


13AX79TH090 LT-4600H (2008)
Engine Fuel System

Page 22 of 46

Ref #	Part Number	Qty	S/P/F	Description
1	KH-20-041-17-S	1		GASKET
2	KH-20-265-05-S	1		KIT
3	KH-X-22-11	1		WASHER, INT TOOTH LOCK 1/4"
4	KH-M-651020-S	1		SCREW, FLG M6x1.0x20
5	KH-20-853-42-S	1		KIT, CARBURETOR W/GASKETS (includes 6,7)
6	KH-12-041-02	1	/P	GASKET, AIR CLEANER BASE
7	KH-12-041-01	1	/P	GASKET, CARBURETOR
8	KH-20-072-05-S	1		STUD, M6X1.0X100
9	KH-M-641060-S	2	/P	NUT, FLG M6X1.0
10	KH-25-237-14-S	2	/P	CLAMP, SPRING HOSE 1/2"
11	KH-25-050-21-S	1	/P	FILTER, FUEL
12	KH-25-353-14-S	1		LINE, FLEXIBLE FUEL - 7"
	KH-12-757-02	1	/P	KIT, REPAIR FLOAT NOT ILLUSTRATED
	KH-12-757-03	1	/P	KIT, REPAIR CARBURETOR NOT ILLUSTRATED
	KH-12-757-33	1	/P	KIT, REPAIR SOLENOID NOT ILLUSTRATED
	KH-12-757-37-S	1		KIT, REPAIR BOWL REPLACEMENT NOT ILLUSTRATED
	KH-20-755-06-S	1		KIT, HIGH ALTITUDE (5000 FT) NOT ILLUSTRATED
	KH-20-755-07-S	1		KIT, HIGH ALTITUDE (5,000 FT) NOT ILLUSTRATED
	KH-12-454-03-S	1	/P	TIE, CABLE NOT ILLUSTRATED
	KH-12-755-110-S	1		KIT, REPAIR CHOKE NOT ILLUSTRATED

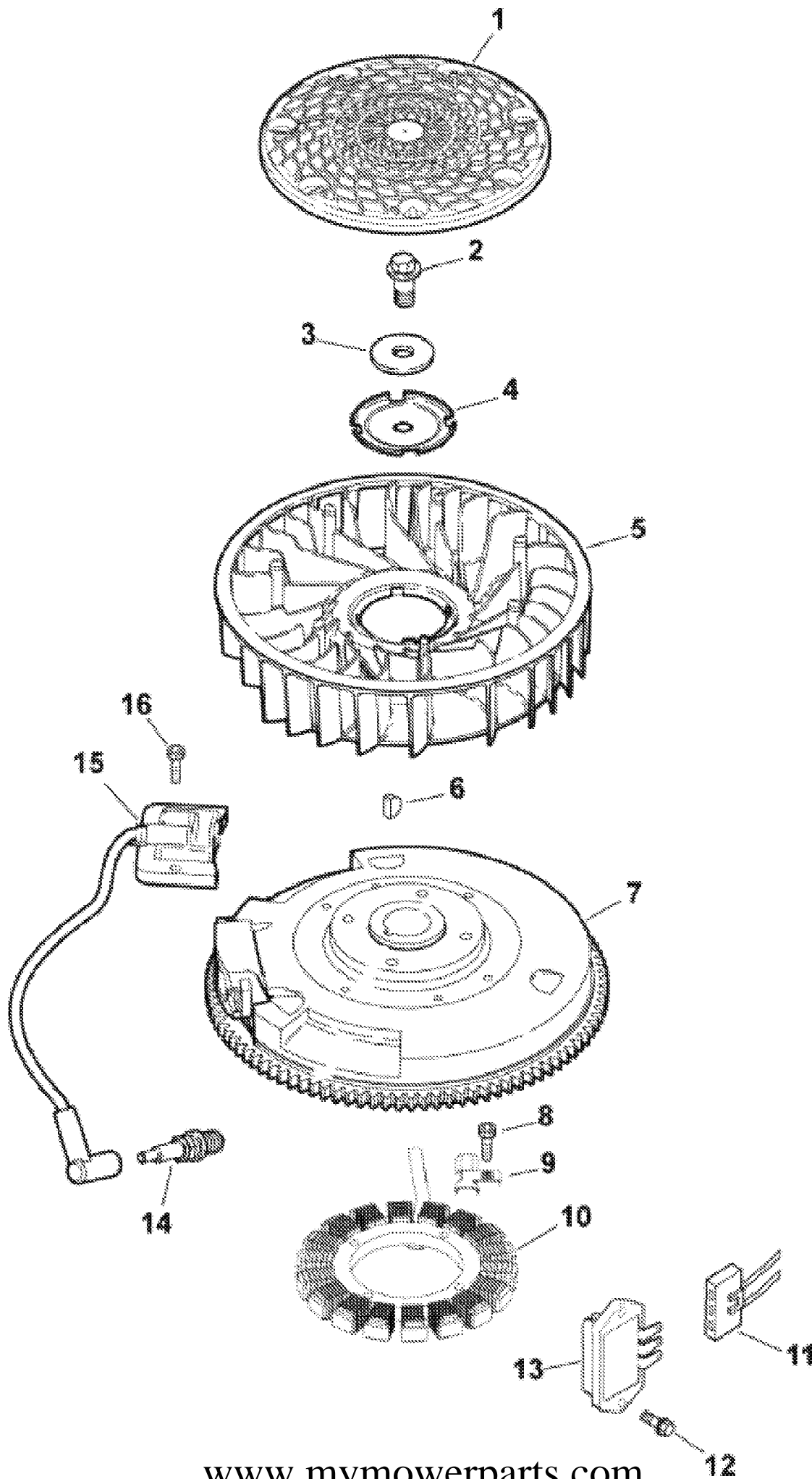
13AX79TH090 LT-4600H (2008)
Engine Head Valve Breather



13AX79TH090 LT-4600H (2008)
Engine Head Valve Breather

Page 24 of 46

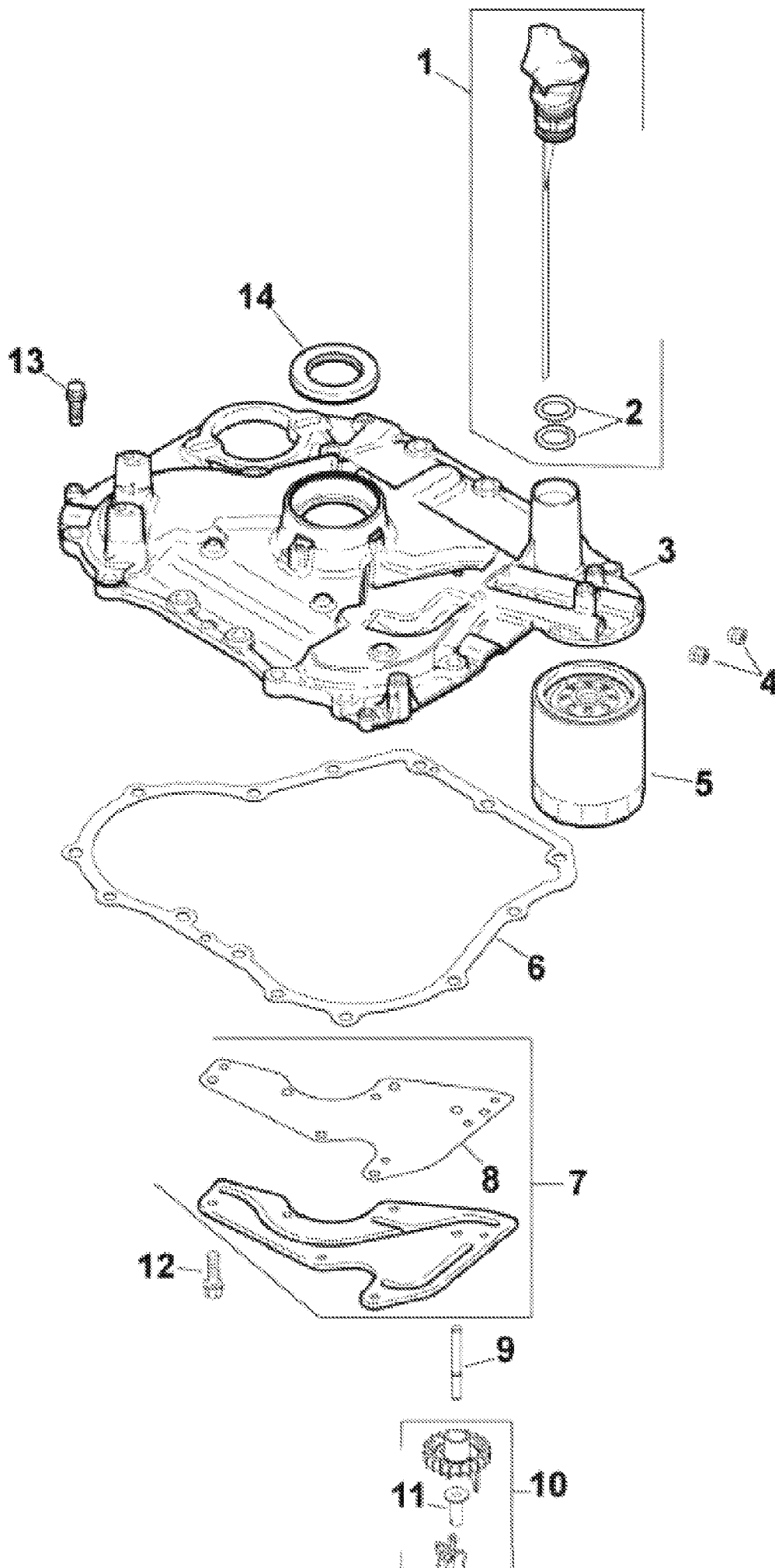
Ref #	Part Number	Qty	S/P/F	Description
1	KH-20-096-07-S	1	S	KIT, VALVE COVER (Includes 2)
2	KH-20-041-13-S	1	/P	GASKET, VALVE COVER
3	KH-M-645020-S	7	/P	SCREW, FLG THD FRM M6X1.0X20
4	KH-20-326-20-S	1		HOSE, BREATHER
5	KH-20-599-02-S	2	S	KIT, ROCKER ARM PIVOT- DISCONTINUED (Includes 6)
6	KH-20-086-04-S	2		SCREW, SET
7	KH-20-186-01-S	2		ARM, ROCKER
8	KH-20-072-08-S	2		STUD, ROCKER
9	KH-20-146-03-S	2		PLATE, PUSH ROD GUIDE
10	KH-20-062-01-S	2	/P	LOCK, RETAINER
11	KH-20-173-01-S	2		CAP, VALVE SPRING
12	KH-20-089-03-S	2		SPRING, VALVE
13	KH-20-086-02-S	6	/P	SCREW, FLG M10X1.5X80
14	KH-12-468-05	1		WASHER, FLAT 13/32"
15	KH-20-318-07-S	1		HEAD, CYLINDER ASSEMBLY
16	KH-20-016-01-S	1		VALVE, EXHAUST
17	KH-20-017-01-S	1		VALVE, INTAKE
18	KH-20-841-01-S	1	/P	KIT, CYLINDER HEAD GASKET (includes 2,13,14)
19	KH-20-411-04-S	2	/P	ROD, PUSH



13AX79TH090 LT-4600H (2008)
Engine Ignition & Electrical

Page 26 of 46

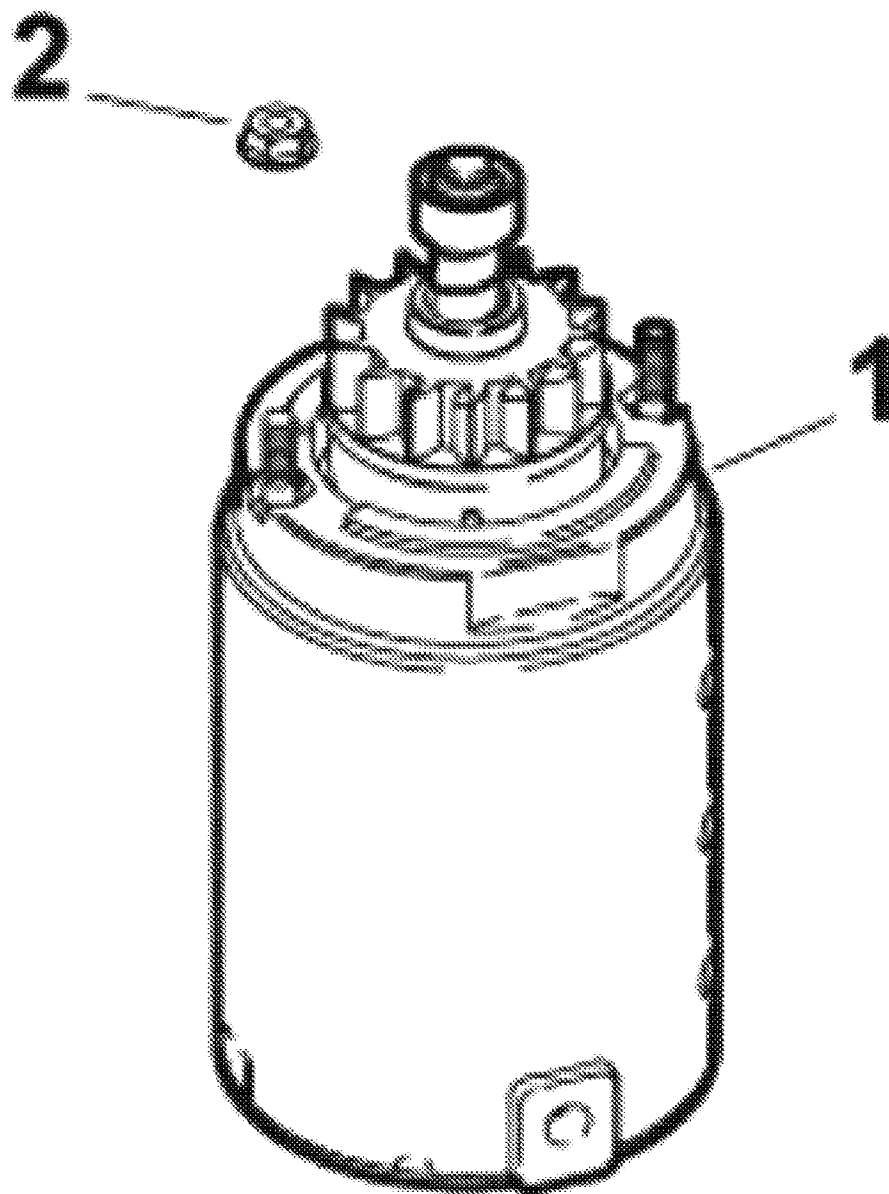
Ref #	Part Number	Qty	S/P/F	Description
1	KH-20-162-02-S	1		SCREEN, GRASS
2	KH-25-086-125-S	1		SCREW, HEX FLANGE
3	KH-25-468-09-S	1		WASHER, FLAT
4	KH-20-146-05-S	1		PLATE, FAN MOUNTING
5	KH-20-157-01-S	1		FAN
6	KH-X-42-15	1	/P	KEY, 3/16" X 5/8"
7	KH-20-025-35-S	1	S	FLYWHEEL ASSEMBLY
8	KH-20-086-22-S	2		SCREW, TRX HD DRIVE FASTENER - USE M-548025-S
9	KH-20-154-04-S	2		CLIP, WIRE
10	KH-237878	1	/P	KIT, 15 AMP STATOR (includes 25 452 01-S)
11	KH-236602-S	1	S	CONNECTOR (3 CONTACT)
12	KH-M-545020-S	2		SCREW, FLG THD FRM M5X.8X20
13	KH-41-403-10-S	1	/P	REGULATOR/RECTIFIER
14	769-3336	1		PLUG, SPARK
15	KH-20-584-03-S	1	/P	MODULE, IGNITION (CDI FIXED)
16	KH-M-561025-S	2		SCREW, SCKT THRD FRM M5X0.8X25
	KH-20-176-07-S	1	/P	HARNESS, WIRING NOT ILLUSTRATED
	KH-25-452-01-S	2		TERMINAL NOT ILLUSTRATED



13AX79TH090 LT-4600H (2008)
Engine Oil Pan & Lubrication

Page 28 of 46

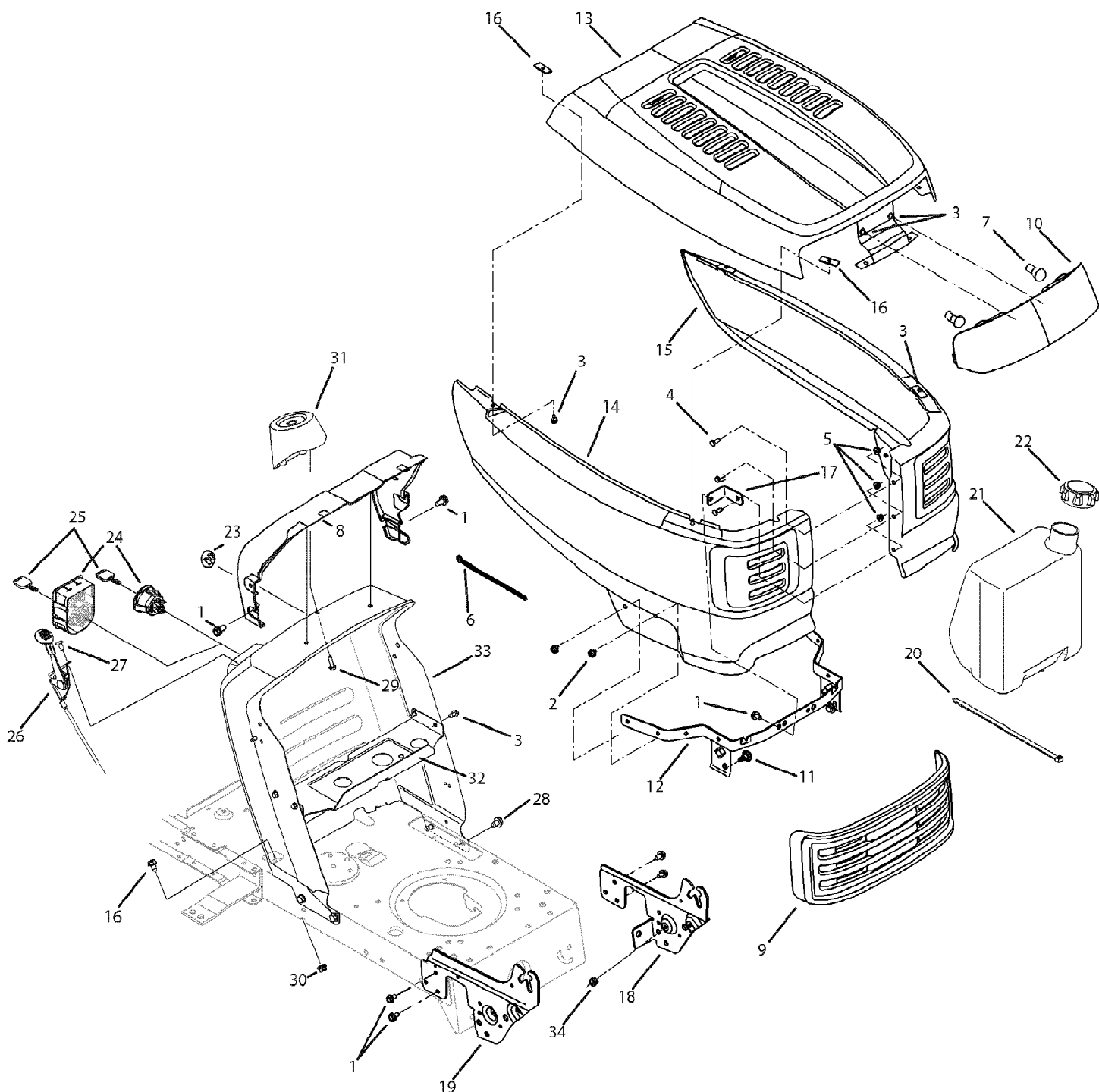
Ref #	Part Number	Qty	S/P/F	Description
1	KH-20-040-03-S	1	S	DIPSTICK W/2 O-RINGS (includes 2)
2	KH-20-153-01-S	1		O-RING
3	KH-20-009-10-S	1		KIT PLATE ASM-CLOSUER (includes 4,10,11)
4	KH-25-139-60-S	2	/P	PLUG, CTSK PIPE 1/8"
5	KH-12-050-01-S	1	/P	FILTER, OIL
6	KH-20-041-01-S	1	/P	GASKET, CLOSURE PLATE
7	KH-20-096-02-S	1		KIT, OIL PASSAGE COVER (includes 8)
8	KH-20-041-02-S	1		GASKET, OIL PASSAGE
9	KH-20-144-03-S	1		SHAFT, GOVERNOR CROSS
10	KH-25-310-01-S	1	S	KIT GEAR ASM-GOVERNOR (includes 11)
11	KH-12-380-01	1	/P	PIN, GOVERNOR REGULATING
12	KH-M-545013-S	6		SCREW, FLG THD FRM M5X0.8X13
13	KH-M-851030-S	14		SCREW, FLG M8X1.25X30
14	KH-20-032-01-S	1	/P	SEAL, OIL



13AX79TH090 LT-4600H (2008)
Engine Starting System

Page 30 of 46

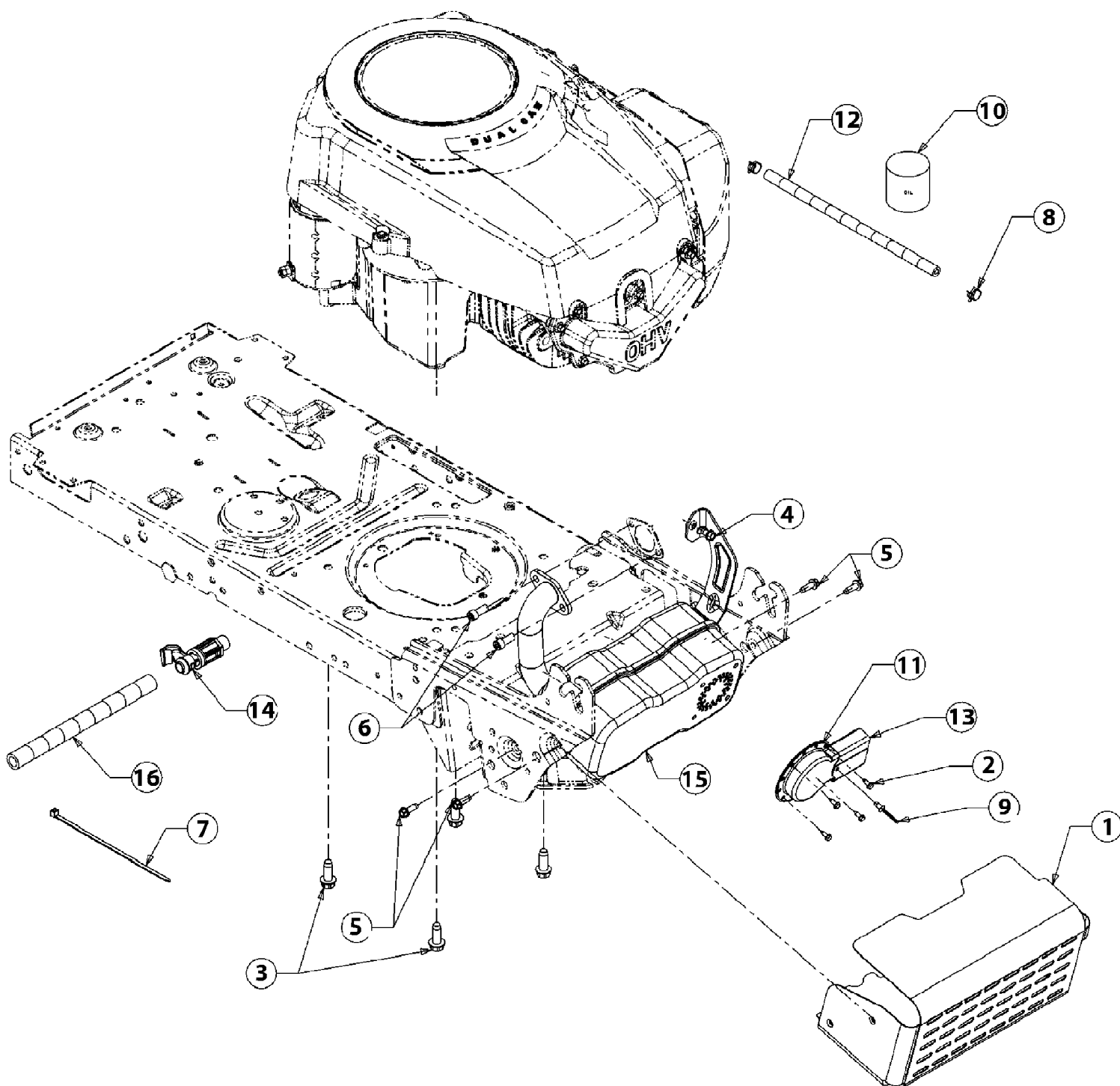
Ref #	Part Number	Qty	S/P/F	Description
1	KH-20-098-05-S	1	S	STARTER ASSEMBLY
2	KH-25-100-31-S	2		NUT, FREE SPINNING FLG #10-24
	KH-20-755-12-S	1		KIT, DRIVE (J.E.) NOT ILLUSTRATED
	KH-12-221-02-S	1		BRUSH KIT NOT ILLUSTRATED
	KH-20-211-02-S	1		BOLT, THRU NOT ILLUSTRATED
	KH-20-227-01-S	1		CAP, DRIVE END (J.E.) NOT ILLUSTRATED



13AX79TH090 LT-4600H (2008)
Hood and Control Assembly

Page 32 of 46

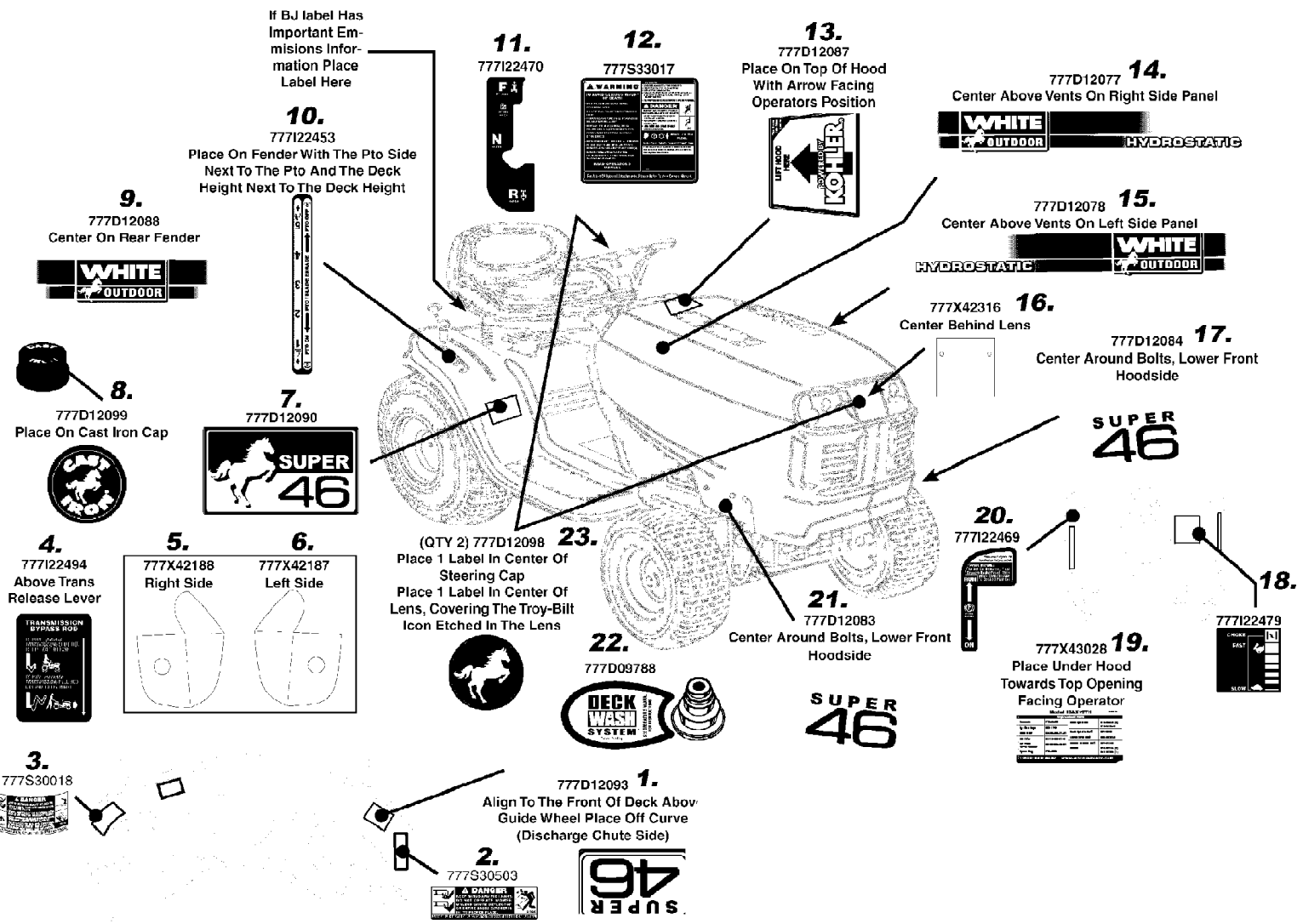
Ref #	Part Number	Qty	S/P/F	Description
1	710-04484	1		Screw, 5/16-18, 0.750
2	710-04593	1		Screw, 5/16-18, 0.375
3	710-0599	1	/P	Screw, 1/4-20, 0.500
4	710-0751	1	/P	Screw, 1/4-20, .620, Gr5
5	712-04064	1	/P	Nut, Flange Lock, 1/4-20, Gr5
6	725-0157	1	/P	Cable Tie, 3/16 x .05 x 7.4
7	725-0963	1	S	Headlamp, 12V
8	731-05078C	1	/P	Dash Collar
9	731-06358	1		T-Style Grill Insert
10	731-06414	1		Lens, T-Style
11	738-04091A	1	/P	Screw, Shldr, .43 x .29, 5/16-18
12	783-04606B	1		Pivot Bracket, Hood
13	783-04827	1		Hood
14	783-04828	1		Side Panel, RH
15	783-04967	1		Side Panel, LH
16	783-05223	1		Hood Fastener, T-Style
17	783-05315	1	S	Front Hood Bracket
18	783-05327B	1	S	Hood Pivot Bracket, LH
19	783-05328A	1	S	Hood Pivot Bracket, RH
20	726-0230	1	/P	Cable Tie, 34.75
21	751-0555B	1	/P	Fuel Tank, 1.5 gal.
22	751-0603	1	S	Fuel Tank Cap
23	731-05265	1		Choke Plug
24	725-04659	1	S	Ignition, Switch (No RMC) 3 Position
24	725-1741	1	S	Ignition, Switch (No RMC) 4 Position (Not Shown)
24	725-04227B	1	S	Ignition, Switch (RMC) (Not Shown)
25	725-1744A	1	S	Key
26	746-04364	1		Throttle/Choke Control, 25.0
27	710-04483	1		Screw, 1/4-14, .500
28	710-0604A	1	/P	Screw, 5/16-18, 0.625
29	710-0895	1		Screw, 1/4-15, 0.750
30	712-04063	1	/P	Flange Lock Nut 5/16-18
31	731-04945	1		Support, Steering
32	783-04584	1	S	Gas Tank Support Bracket
33	783-04873	1		Dash Assembly
	725-04567	1	S	Wire Harness (No RMC) 3 Position (Not Shown)
	725-04432A	1	S	Wire Harness (RMC) (Not Shown)
	725-04433A	1	S	Wire Harness (No RMC) 4 Position (Not Shown)
	725-04566	1	S	Wire Harness (No RMC) 3 Position Kohler (Not Shown)
	777X42187	1		Headlight Lens ReFlector LH (Not Shown)



13AX79TH090 LT-4600H (2008)
Kohler Engine Assembly

Page 34 of 46

Ref #	Part Number	Qty	S/P/F	Description
1	683-04370	1	S	Muffler Shield Assembly
2	710-0227	1	/P	Screw, #8-18 x .50
3	710-04683	1		Self-tapping Screw, 3/8-16, 1.00
4	710-0599	1	/P	Screw, 1/4-20, 0.500
5	710-0642	1	/P	Self-tapping Screw, 1/4-20, .750
6	710-1314A	1	/P	Socket Cap Screw, 5/16-18, .625
7	725-0157	1	/P	Cable Tie, 7.4"
8	726-0205	1	/P	Hose Clamp, .490
9	728-04000	1		Pop Rivet, .188 x .300
10	KH-25-357-05-S	1	S	Oil, SAE 10W30, quart
11	751-0564B	1	/P	Muffler Deflector
12	751-10349	1		Fuel Line Hose
13	751-10353	1		Muffler Deflector, Long
14	751-10517	1	S	Oil Drain
15	751-10529	1	S	Muffler
16	751-3141	1	S	Oil Drain Extension Hose



13AX79TH090 LT-4600H (2008)
Label Map

Page 36 of 46

Ref #	Part Number	Qty	S/P/F	Description
1	777D12093	1		LABEL-RIDER DECK 46" WHITE
2	777S30503	1	/P	LABEL-DANGER CHUTE
3	777S30018	1	/P	LABEL-DECK SAFETY
4	777I22494	1		LABEL:LT-5 TRANS RELEASE
5	777X42188	1		LABEL-RIDER T STYLE GRILL RT
6	777X42187	1		LABEL-RIDER T STYLE GRILL LT
7	777D12090	1		LABEL-RIDER FENDER WHITE
8	777D12099	1		LABEL-RIDER CAST IRON CAP WHITE
9	777D12088	1		LABEL-RIDER REAR FENDER WHITE
10	777I22453	1		LABEL:RIDER LT-5 FENDER
11	777I22470	1		LABEL:RIDER:LT-5 FENDER HYDRO
12	777S33017	1		LABEL-LT 5 TRANS COVER NO OCR
13	777D12087	1		LABEL-RIDER HOOD T KOHLER
14	777D12077	1		LABEL-RIDER T STYLE WHITE HYDRO RH
15	777D12078	1		LABEL-RIDER T STYLE WHITE HYDRO LH
16	777X42316	1		LABEL-RIDER TROY MID REFL
17	777D12084	1		LABEL-RIDER T/LOWER GRILLE LH
18	777I22479	1		LABEL: RIDER LT-5 THRT/CHK
19	777X43028	1		LABEL-RIDER PARTS X79TH
20	777I22469	1		LABEL: RIDER LT-5 DASH HYDRO
21	777D12083	1		LABEL-RIDER T/LOWER GRILLE RH
22	777D09788	1		LABEL:RIDER:WHITE
23	777D12098	2		LABEL-RIDER STEERING CAP WHITE

13AX79TH090 LT-4600H (2008)
PTO

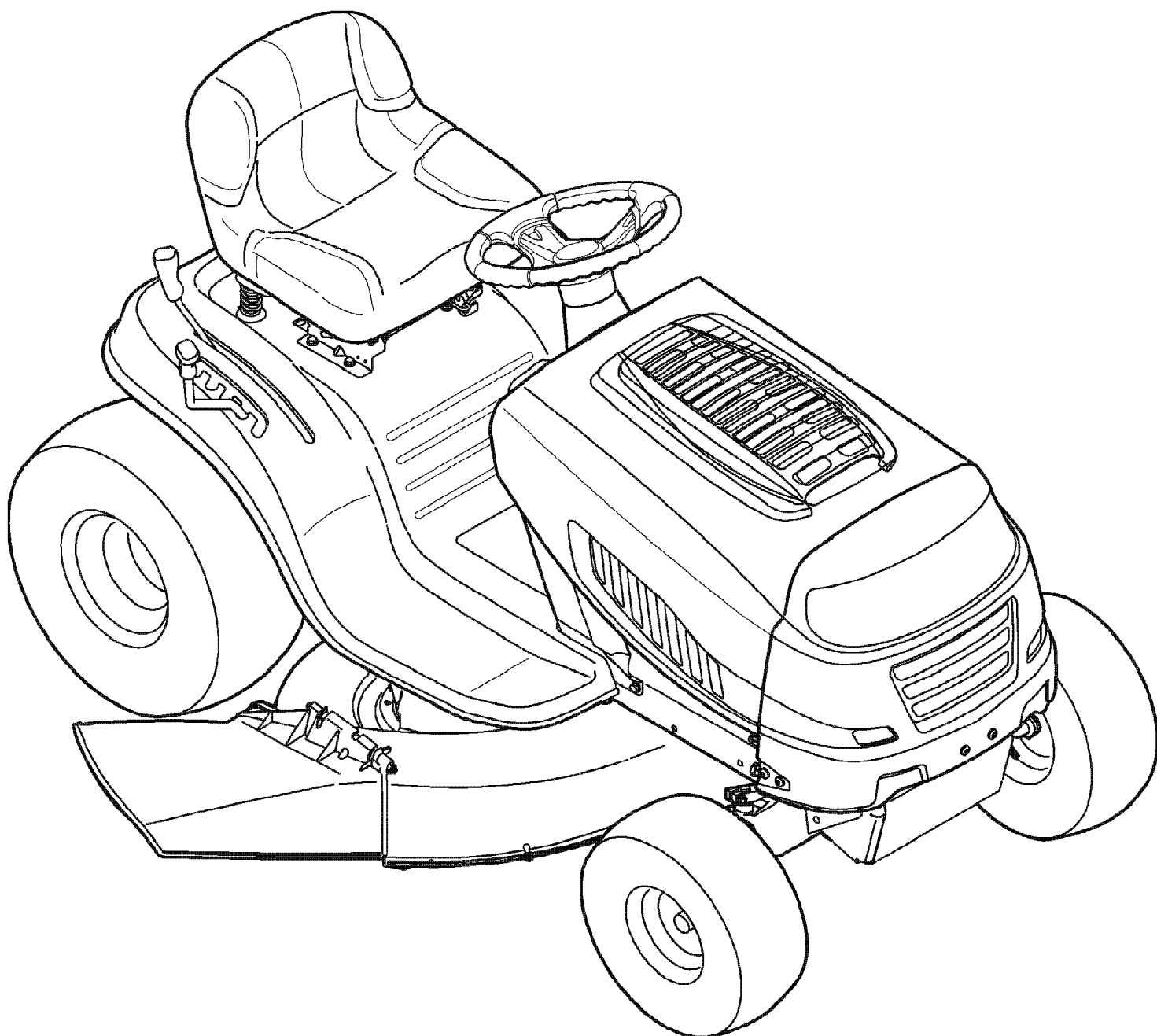
Page 38 of 46

Ref #	Part Number	Qty	S/P/F	Description
1	683-04155A	1	S	Shaft Assembly Lift 38/42" Decks
1	683-04334	1	S	Shaft Assembly Lift 46" Decks
2	712-04065	1	/P	Nut, Flange Lock, 3/8-16, GrF
3	714-04043	1		Pin, Cotter .08 x 1.56 Intern. RH
3	714-0470	1	S	Pin, Cotter .080 x 1.25 Intern. LH (Not Shown)
4	716-0106A	1		Ring, E-Type, .625 Dia.
5	720-0311	1		Grip, Handle, 1/2
6	732-04225	1		Spring, Torsion 38/42" Decks
7	738-04130	1		Screw, Shldr. , .625 x .175, 3/8-16
8	741-0225	1	S	Bearing, Hex Flange
9	747-04282	1		Deck Handle, Lift, 38/42" Decks
10	747-04393	1		Rod, Lift
11	783-04494	1		Lift Arm, Deck - RH
11	783-04711	1		Lift Arm, Deck - LH (Not Shown)
12	710-0599	1	/P	Screw, 1/4-20, 0.500
13	710-0604A	1	/P	Screw, 5/16-18, 0.625
14	712-04063	1	/P	Flange Lock Nut, 5/16-18
15	720-0298	1		Grip, Handle, 5/8
16	732-04438	1		Spring, Torsion 46" Deck
17	732-0934	1		Extension Spring
18	736-0140	1	S	Washer, Flat, .385 x .62 x .063
19	736-0226	1	S	Washer, Flat, .474 x .879 x .064
20	738-0380	1	S	Bolt, Shldr. .500 x .270 3/8-16
21	738-0754	1		Screw, Shldr. , .437 x .54
22	747-04653	1		Deck Handle, Lift, 46" Deck
23	783-04462	1		Lift Bracket
24	783-05389	1	S	Frame Brace Bracket
25	783-0678C	1	/P	Deck Lift Link
26	647-04096	1		Handle Assembly, PTO
27	710-04608	1		Screw, 7/16-20, 3.25 38 & 42" Deck
27	710-04607	1		Screw, 7/16-20, 2.75 46" Deck (Not Shown)
28	714-0145	1	S	Pin, Click, .092 x 1.64
29	720-04049A	1	/P	Grip, Handle, 3/8
30	732-04276A	1	/P	Spring, Extension
31	736-0171	1	S	Washer, Lock, 7/16
32	736-0322	1	/P	Washer, Flat, .450 x 1.250 x .164
33	738-04237A	1		Shoulder Screw, #10-16, 0.500
34	741-04119	1	S	Bearing, PTO
35	746-04173B	1	S	Cable, Deck Engagement
36	750-0956	1		Spacer, 1.010 x 1.400 x .825 (36/42 Dk.)
37	756-04067A	1	S	Engine Pulley, 38" & 42" Deck
37	756-04208A	1	/P	Engine Pulley, 46" Deck (Not Shown)
38	683-04448	1	S	Hold Down Rod, Battery
39	710-04666	1		Screw, Carriage, 1/4-20, .75, Gr5
40	712-0271	1	/P	Nut, Sems, 1/4-20
41	725-1737A	1	S	Battery, 190 CCA
41	725-1704A	1	S	Battery, 125 CCA (Not Shown)
42	683-04195	1		Support Bracket Assembly
43	683-04450	1		Frame Assembly
44	710-0134	1	/P	Carriage Screw, 1/4-20 x .62
45	710-04484	1		Screw, 5/16-18, .750

13AX79TH090 LT-4600H (2008)
PTO

Page 39 of 46

Ref #	Part Number	Qty	S/P/F	Description
46	710-3008	1	/P	Hex Screw, 5/16-18 x .75
47	712-04064	1	/P	Nut, Flange Lock, 1/4-20, GrF
48	712-0429	1	S	Hex Lock Nut, 5/16-18
49	732-04035	1		Spring, Compr. , 1.28 OD x 3.125
50	736-0173	1	/P	Flat Washer, .28 x .74 x .063
51	783-04548C	1	S	Seat Bracket, Frame
52	783-04637	1	S	Bracket, Runing Board
53	783-04753	1		Frame Support Bracket
54	783-04869A	1	S	Bracket, Battery
55	725-04439	1		Solenoid
56	725-04363	1		Switch, Interlock
57	783-04536B	1	S	Pedal Support Bracket
58	683-04443	1	S	Rod, Belt Keeper (42" Deck)
58	683-04414	1	S	Rod, Belt Keeper (Not Shown)(46" Deck)
59	736-0300	1	S	Washer, Flat, .406 x .875 x .059



13AX79TH090 LT-4600H (2008)
Quick Reference

Page 41 of 46

Ref #	Part Number	Qty	S/P/F	Description
	KH-12-050-01-S	1	/P	OIL FILTER
	KH-20-883-02-S1	1	/P	AIR FILTER w/Pre-Cleaner
	NA	1		PRE-CLEANER ELEMENT
	759-3336	1	/P	SPARK PLUG
	KH-25-050-21-S1	1	/P	FUEL FILTER
	942-0611A	2	/P	BLADES (Outer)
	942-0612A	1	/P	BLADES (Center)
	712-0417A	1	/P	BLADE NUT
	NA	1		UPPER DRIVE BELT
	954-04074A	1	/P	LOWER DRIVE BELT
	954-0349	1	/P	DECK SPINDLE BELT
	954-04142	1	/P	ENGINE TO DECK BELT
	618-0240A	2	S	DECK SPINDLES
	918-04134B	1	S	DECK SPINDLE, DOUBLE
	925-1745	1	S	IGNITION KEYS
	725-04439	1		SOLENOID
	951-3111	1	S	FUEL CAP
	734-0973	2	/P	DECK WHEELS
	923-0448A	1	/P	BALL JOINTS
	741-0516B	1	/P	WHEEL BUSHINGS
	741-0990B	1	/P	WHEEL BUSHINGS in board
	725-04363	1		SAFETY SWITCH-DECK
	725-04363	1		SAFETY SWITCH-BRAKE/CLUTCH
	737-04003C	1	S	WATER NOZZLE ADAPTER
	725-1737A	1	S	BATTERY
	734-1731	1		TIRE (Front)
	734-1730	1		TIRE (Rear)
	731-0484A	1	S	HUB CAP
	746-04364	1		THROTTLE CONTROL CABLE
	931-1032B	1	/P	DISCHARGE CHUTE ASSEMBLY
	OEM-190-118	1		46" MULCH KIT Attachment
	OEM-190-607	1		DELUXE TRACTOR SHADE Attachment
	OEM-190-679	1	/P	BUMPER Attachment
	OEM-190-182	1	S	DOUBLE BAGGER Attachment
	490-900-0025	1		DECK WASH KIT Accessory

13AX79TH090 LT-4600H (2008)
Seat & Fender Assembly

Page 43 of 46

Ref #	Part Number	Qty	S/P/F	Description
1	710-1268	1	/P	Screw, #10-16, .375
2	712-04063	1	/P	Nut, Flange Lock, 5/16-18, GrF
3	712-04064	1	/P	Nut, Flange Lock, 1/4-20
4	720-0309A	1	/P	Seat Adjuster Grip
5	736-0607	1	/P	Lock Washer, 5/16
6	731-04074	1		Spacer
7	732-0499	1		Compression Spring, .41 x 1.5
8	710-04483	1		Screw, 1/4-20 x .500
9	736-0242	1	/P	Wash, Bell, .340 x .872 x .060
10	736-3019	1		Wash, Flat, .531x 1.062 x .134
11	738-0137A	1	S	Screw, Shlder, .340 x .285, 1/4-20
12	783-04843	1		Lift Adjustment Bracket
13	738-0966A	1	/P	Screw, Shlder, .50 x .925, 3/8-16
14	783-1489C	1		Mounting Bracket, Seat
15	783-0611	1		Seat Stop
16	783-0738D	1	/P	Seat Pivot Bracket
17	783-0739A	1	S	Seat Adjustment Lever
18	783-0753	1		Seat Adjustment Selector
19	710-0227	1	/P	Screw, #8-18 x .50
20	726-0279	1		Plate, Insulator
21	725-1303	1	S	Spring Switch, Outer
22	725-1439	1		Spring Switch, Inner
23	726-0278	1		Plate, Insulator Boss
24	723-04025	1		Foot Pad, Abrasive, RH
24	735-04048	1		Foot Pad, Rubber RH (Not Shown)
25	723-04026	1		Foot Pad, Abrasive, LH
25	735-04047	1		Foot Pad, Rubber LH (Not Shown)
26	720-04061	1		Knob, 3/8-16, .875
27	710-0134	1	/P	Carriage Screw, 1/4-20 x .62
28	732-1184	1	/P	Spring, Exten., .84 Dia x 4.6 Lg.
29	736-0204	1	/P	Wash, Flat, .344 x .62 x .033
30	738-0296	1	S	Scr., Shlder, .437 x .268, 5/16-18
31	738-04012A	1	/P	Screw, Shlder, .625 x .175, 3/8-16
32	783-0209D	1	/P	Lift Bracket, Seat
33	783-04081B	1		Pivot Bracket, Seat
34	757-04001A	1	/P	Seat, Low, Black
34	757-04037	1	S	Seat, Medium, Black (Not Shown)
34	757-04011	1	S	Seat, Medium, Yellow (Not Shown)
34	757-04003A	1	/P	Seat, High Back, Black (Not Shown)
34	757-04075	1		Seat, High Back, Gray (Not Shown)
35	710-04482	1		Screw, 3/8-16, .875
36	710-0599	1	/P	Screw, 1/4-20, 0.500
37	710-04484	1		Screw, 5/16-18, 0.750
38	783-04593B	1		Fender, Hydrstatic
39	731-04591A	1	/P	Cup Holder
40	736-0300	1	S	Flat Washer, .406 x .875 x .059
40	736-0140	1	S	Flat Washer, .395 x .62 x .063 (Not Shown)
	726-04072A	1	/P	Ratchet Clip (For use w/ rubber foot pad)

13AX79TH090 LT-4600H (2008)
Steering

Page 45 of 46

Ref #	Part Number	Qty	S/P/F	Description
1	617-04024	1	S	Gear Assembly, Steering
2	710-0376	1	/P	Screw, 5/16-18, 1.00, Gr5
3	710-0643	1	/P	Screw, 5/16-18, 1.00, Gr5, Lock
4	710-1309	1	/P	Screw, Mach, 5/16-18, 0.750
5	710-3180	1	/P	Screw, 5/16-18, 1.75, Gr5
6	712-0240	1	S	Nut, Jam, 7/16-20, Gr2
7	712-0262	1	/P	Nut, Jam Lock, 3/8-24, Gr2
8	712-04063	1	/P	Nut, Flange Lock, 5/16-18, Grf
9	731-0484A	1	S	Hub Cap
10	723-0448A	1	S	Ball Joint, 7/16-20, Lock
11	736-0242	1	/P	Washer, Bell, .340 x .872 x .060
12	736-0316	1	S	Washer, Flat, .78 x 1.59 x .60
13	738-04141	1		Shoulder Screw, .435 x .3485, 5/16-18
14	738-0919A	1	/P	Steering Shaft, 5/8 Spline x 21.86
15	741-04124	1	S	Bearing, Flange, Hex 5/8
16	741-0475	1	S	Plastic Bushing .380 ID
17	747-04298	1		Drag Link, Steering
18	748-0389	1	S	Cap, 1.25 x .16
19	748-04065	1	S	Steering, Block
20	748-04068	1		Spacer, .710 ID x .125 OD x .56
21	750-04418	1		Spacer, .322 ID x .625 OD x .21
22	783-04644	1	S	Stabilizer Plate, Gear Segment
23	638-04007	1	S	Axle Assmby LH (38" & 42" Deck)
23	638-04013	1	S	Axle Assembly, LH (46" Deck) (Not Shown)
24	638-04008	1	S	Axle Assmby RH (38" & 42" Deck)
24	638-04014	1	S	Axle Assembly, RH (46" Deck) (Not Shown)
25	683-0128B	1	/P	Pivot Bar
25	719-04177A	1		Pivot Bar, Cast (Not Shown)
25	737-3000	1	S	Fitting, Lube, 3/16 Drive Type (Not Shown)
25	737-0475	1	/P	Fitting, Lube, M6 Threaded (Not Shown)
26	710-04484	1		Screw, 5/16-18, 0.750
27	712-04065	1	/P	Nut, Flange Lock, 3/8-16, GrF
28	714-04039	1		Pin, Cotter, 5/32, 1.25
29	714-0474	1	S	Pin, Cotter, 1/8 x 0.75
30	726-0341	1	/P	Push Cap, 3/4
31	783-05326	1	S	Pivot Bar Bracket
32	736-0316	1	S	Washer, Flat, .78 x 1.59 x .060
33	738-04128	1		Scr., Shlder, .500 x 2.380, 3/8-16
34	741-0660A	1	/P	Bearing, Flange, .760 x .941 x 1.0
35	747-04299A	1	/P	Tie Rod
36	731-04693	1		Push Cap
37	731-04057A	1		Axle End Cap, Standard
38	631-04028	1		Steering Wheel, Standard Grip
38	631-04008A	1	/P	Steering Wheel, Soft Grip (Not Shown)
39	731-04039	1		Cap, Steering Wheel (no logo)
39	731-04040	1		Cap, Steering Wheel (sprig logo) (Not Shown)
39	731-04681	1		Cap, Steering Wheel (tine logo) (Not Shown)
40	634-04325	1		Wheel Ass'y, Round Shoulder
40	734-04240A	1		Tire Only, 15 x 6 x 6, Round Shld. (Not Shown)
40	634-04086			Wheel Ass'y, Square Shoulder (Not Shown)

13AX79TH090 LT-4600H (2008)
Steering

Page 46 of 46

Ref #	Part Number	Qty	S/P/F	Description
40	734-1731	1		Tire Only, 15 x 6 x 6, Square Shld. (Not Shown)
40	634-04081	1	S	Rim Assembly (Not Shown) (Incl. bearings & valve stem)
41	719-04177A	1		Pivot Bar, Cast
42	726-04035	1		Push Nut 3/4 Dia.